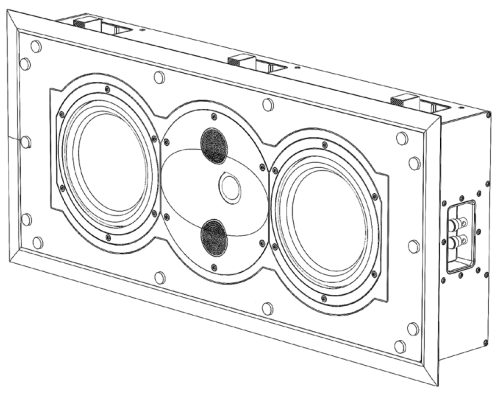
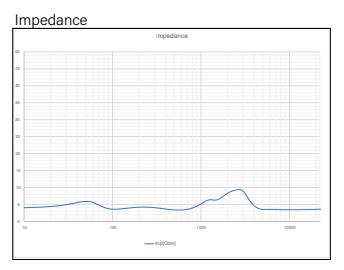
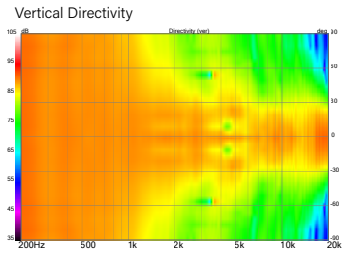
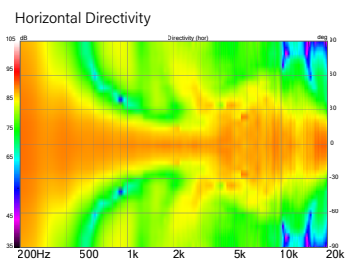
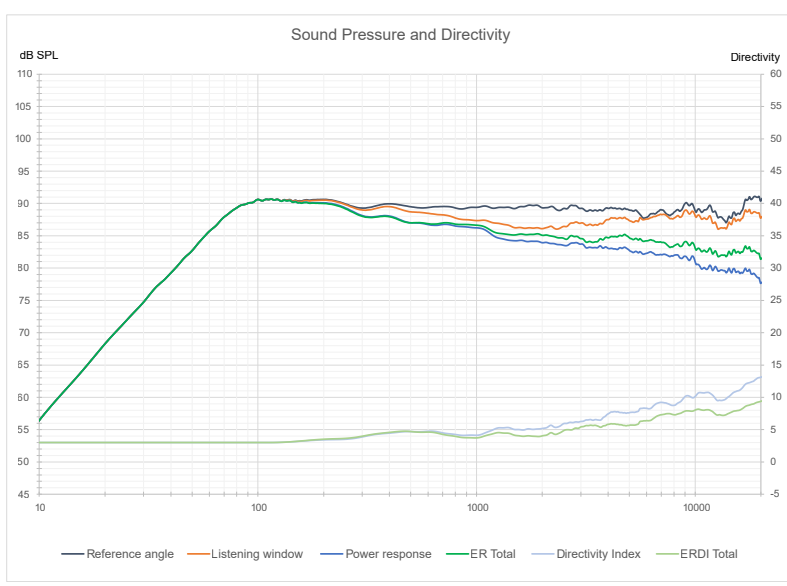


MODEL R5i-C INWALL: Based largely on the R5c. Adapted for inwall applications. Shallow 4" mounting depth and integral aluminum extrusion rear enclosure insure consistent performance and minimal sound propagation to adjacent rooms. Sharing "trickle-down" technology from our flagship S-Series, the DPC-Array here based on three 26mm domes, guarantees excellent directivity control and timbre matching with all R-Series speakers. The Silk diaphragms developed ground up, chosen specifically their smooth, effortless representation of midrange and treble. The 165mm woofers are made from our proprietary HPF pulp, two years in development, bringing new technology to one of the oldest materials used in loudspeaker design. All R-Series speakers share the same DPC-Array and benefit from our unique timbre matching technique across the entire series. Another Perlisten inwall loudspeaker to be certified for THX Dominus - their highest rating.



R5i-C

Technical Specifications:	
Enclosure Alignment	3-way acoustic suspension
Driver compliment	DPC-Array: 26mm(3) Silk dome Woofers: 165mm(2) HPF diaphragms
Sensitivity	89.4dB / 2.83v / 1.0m
Impedance	4Ω nominal / 3.3Ω min
Response Linearity	80 - 20kHz +/-1.5dB window
Frequency Response (-10dB)	acoustic suspension: 40 - 32kHz
Typical In Room bass extension	acoustic suspension: 34Hz
Dimensions (HxWxD)	298 x 665 x 111mm 11.8 x 26.2 x 4.4"
Mounting Dimensions (HxWxD)	257 x 624 x 257 x 101.7mm 10.1 x 24.6 x 4.0"
Weight	15.9 kg (35.0 lbs.)
Recommended Amplifier Power	50 - 250W RMS
SPL capability @1m (100-20kHz)	113.4dB peak 111.0dB peak <3% - 2nd, 3rd Harmonics
Certification	THX Dominus, THX Ultra
Available finishes	black baffle, white grille

DPC Array - Directivity pattern control
*USA Patent pending



HPF - Hybrid Pulp Formulation. Diaphragms made from mixed long fiber hardwood, bamboo and wool

