

Customer Information Sheet LUNOS Silvento V

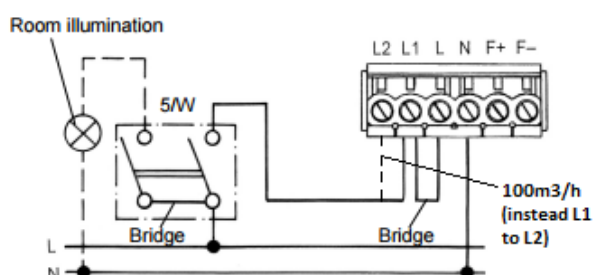
Product information:

The Silvento is one of the quietest and most economical extraction fans in the world. Especially the V which comes without housing and can be installed in suspended ceilings and walls. You can choose between a flush or surface housing. You can switch between 3 airflows (30, 60, 100 m³/h).



How to Control:


- ① • One-step operation, switchable to 60 m³/h or 100m³/h (Ventilator types ... 30/60)



Switch settings:

Factory setting:

white switch knob



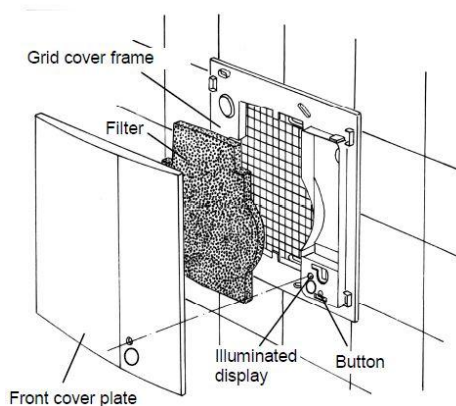
- Switch-on delay 120 sec.
- Time lag 15 min.
- Inverse operation OFF
- Interval switching OFF

↑	⊗	⊗	⊗	Interval ON every 4 hours for 30 min
↓	⊗	⊗	⊗	Interval OFF
⊗	↑	⊗	⊗	Time delay 15 min
⊗	↓	⊗	⊗	Time delay 6 min
⊗	⊗	↑	⊗	Inverse operation ON 30 min
⊗	⊗	↓	⊗	Time lag after leaving the room *
⊗	⊗	⊗	↑	Inverse operation OFF
⊗	⊗	⊗	↓	Switch-on delay 120 sec.
⊗	⊗	⊗	⊗	Switch-on delay 0 sec.

1 2 3 4

Filter replacement:

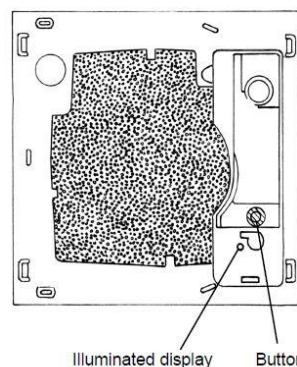
Ventilator with movement detector:
Button and illuminated display are in the grid cover frame



- Continuous red light up of illuminated display indicates a dirty filter
- Take of the front cover plate, remove filter. Insert new or cleaned filter. Dirty filters can be cleaned, e.g. in a washing machine.
- Operate button for 3 seconds with a pencil or similar to turn off the display illumination
- Replace the front cover plate

Never operate the system without a filter!

Ventilator with step switching, run-out time or humidity control: Button and illuminated display are in the electric housing



Technical data:

Connection	80mm
Flow Rate	30/ 60/ 100 m ³ /h
Power Consumption per unit	from 5.2 W
Measuring surface sound pressure level	24/ 35/ 44 dB
Options	Motion sensor, moisture sensor → only 60m ³ /h Split room → Room 1 (40/60m ³ /h) Room 2 (20/40m ³ /h)

Option Split- Room Fan



Ventilate 2 rooms while using just 1 fan.

You only need a second room fan set and you can

Run ducting from the fan to the other room.

How to Control:

