

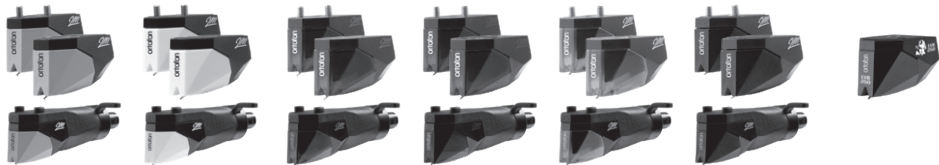
ortofon



accuracy in sound

2M





	2M 78 2M 78 Verso 2M 78 PnP MkII	2M Mono 2M Mono Verso 2M Mono PnP MkII	2M Red 2M Red Verso 2M Red PnP MkII	2M Blue 2M Blue Verso 2M Blue PnP MkII	2M Bronze 2M Bronze Verso 2M Bronze PnP MkII	2M Black 2M Black Verso 2M Black PnP MkII	2M Black LVB 250
Output voltage at 1 kHz, 5 cm/sec.	4 mV	4 mV	5.5 mV	5.5 mV	5 mV	5 mV	5 mV
Frequency range at -3 dB	20–20,000 Hz	20–22,000 Hz	20–22,000 Hz	20–25,000 Hz	20–29,000 Hz	20–31,000 Hz	20–31,000 Hz
Tracking ability at 315 Hz at recommended tracking force	70 µm	70 µm	70 µm	80 µm	80 µm	80 µm	80 µm
Compliance, dynamic, lateral	18 µm/mN	18 µm/mN	20 µm/mN	20 µm/mN	22 µm/mN	22 µm/mN	22 µm/mN
Stylus type	Spherical	Nude Spherical	Elliptical	Nude Elliptical	Nude Fine Line	Nude Shibata	Nude Shibata on Boron cantilever
Tracking force recommended	1.8 g (18 mN)	1.8 g (18 mN)	1.8 g (18 mN)	1.8 g (18 mN)	1.5 g (15 mN)	1.5 g (15 mN)	1.6 g (16 mN)
Recommended load resistance	47 kOhm	47 kOhm	47 kOhm	47 kOhm	47 kOhm	47 kOhm	47 kOhm
Recommended load capacitance	150–300 pF	150–300 pF	150–300 pF	150–300 pF	150–300 pF	150–300 pF	150–300 pF
Weight	7.2 g (20 g PnP)	7.2 g (20 g PnP)	7.2 g (20 g PnP)	7.2 g (20 g PnP)	7.2 g (20 g PnP)	7.2 g (20 g PnP)	7.2 g

About the Ortofon 2M Series cartridges

Thank you for choosing the Ortofon 2M magnetic cartridge system for high performance sound reproduction of your favourite analogue records.

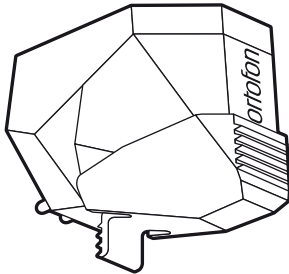
Our company has been working with sound reproduction since 1918. Ortofon developed its first phono cartridge in 1948, since then more than 300 different phono cartridges have been developed and manufactured. Reflecting our extensive experience in industrial design and technological know-how we have become the global leader in the manufacture and supply of phono cartridges.

The 2M Series has been engineered in accordance with the highest standards and is congruent with Ortofon's unrelenting commitment to providing the most precise and accurate reproduction possible without coloration.

The 2M cartridges are available in three configurations: 2M for top mounting, 2M Verso for bottom mounting and 2M PnP for universal tonearm mounting. Except for the 2M Black LVB 250 which is only available in the top mount configuration. The weight and size of the 2M series have been optimized to fit the most common turntables on the market as of today.

As a result of reviewer listening tests we feel confident that you will appreciate and enjoy the unique qualities of these cartridges.

ortofon



Warning

This phono cartridge is only for mounting on tonearms and must not be used for other purposes.

Mounting the 2M cartridge

1. Remove stylus unit with stylus guard before working with leads and screws. Handle all parts carefully. (fig. 1-2)

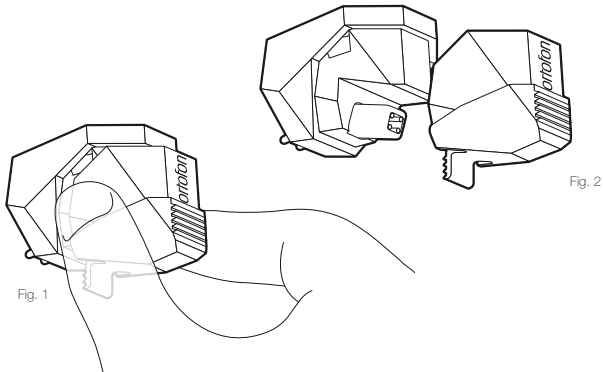


Fig. 2

2. Note colours and channel indications on rear side of the body for correct connection of the tone arm leads. (fig. 3)

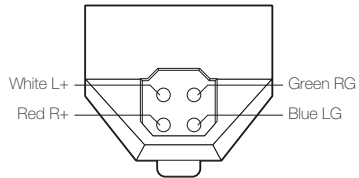
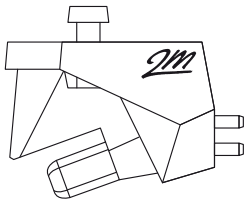


Fig. 3

3. The Ortofon packing contains a pair of screws with a thread length of 5 mm. The screws are to be used with headshell thicknesses of max. 3.5 mm. The 2M threaded mounting plate has a thickness of 3 mm.

2M top mount



2M Verso bottom mount

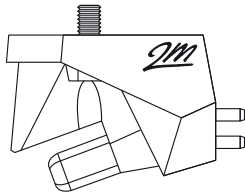


Fig. 4

To check that you are using the right length of screws – please observe that screws must not touch the body under the mounting plate – look into the small openings on each side of the body. (fig. 4)

Do not tighten screws completely before the stylus unit has been remounted (fig. 1) – to adjust stylus overhang refer to the record player or tone arm manual and cartridge dimensions. (fig. 5)

Never overtighten screws and never use aluminium screws, as they can get stuck in the threaded holes of the mounting plate.

Note: If excessively long screws are used and are pressing against the body material, this may influence channel separation and could damage the cartridge body. In case of such damage the Ortofon warranty will be void.

4. Adjust tone arm parallel to record surface, adjusting anti-skating and stylus pressure according to cartridge recommended data and record player manual.

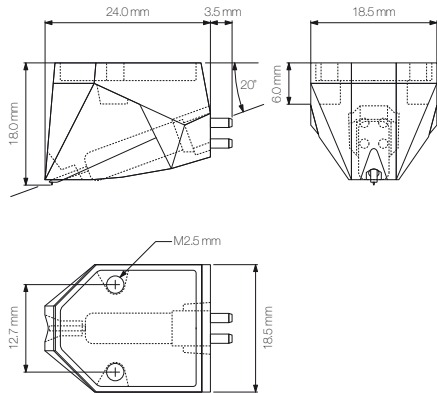


Fig. 5

Stylus care and maintenance

To obtain optimal sound reproduction, remove dust from stylus regularly by using the enclosed small brush.

If the headshell can be easily removed from the tone arm, we recommend that you turn the diamond upwards and brush gently forward in the direction of the diamond tip along the cantilever.

We do not recommend the use of propyl alcohol (or other cleaning fluids) for cleaning the cartridge, as the diamond cement as well as the suspension system could be seriously damaged and thereby ruin the cartridge.

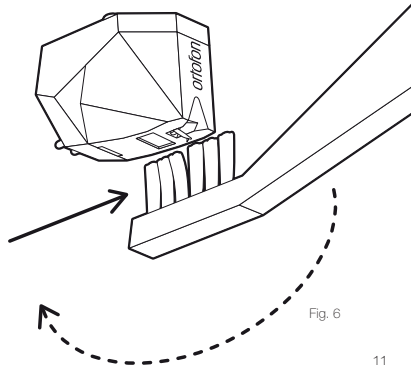


Fig. 6

Stylus guard

Remove the stylus guard before use by holding at the front and rear of the guard and gently pressing the rear while tilting it downwards. (fig. 7-8)

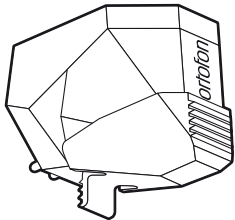


Fig. 7

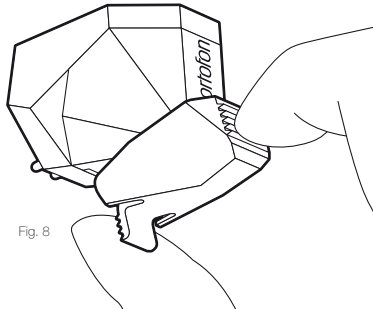


Fig. 8

How to replace M2.0 mm screws on 2M Verso

- Remove the stylus with the stylus protection guard from the cartridge body to avoid any damage to the diamond
- Using Torx 8 key, unscrew the black screw from the Verso top plate
- Remove the top plate from the cartridge body by pulling the screws off
- Remove the two countersunk screws from the top plate
- Insert the two M2.0 mm screws in the top plate
- Mount the top plate on the cartridge body. Hold the top plate with screw-threads hanging down and turn the cartridge body 180 degrees. Mount from above
- Mount the black screw in the top plate and tighten with appropriate force
- Mount the cartridge on the tonearm using the enclosed tool
- Mount the stylus with the stylus protection guard on the cartridge body



2M Headshell features

- Universal mount fitting a wide range of tonearms.
- The headshell body is manufactured from a special compound used for Medical industry, ensures high rigidity while reducing unwanted vibration
- Distance to connector 52 mm. Headshell with a 2M cartridge pre-mounted provides correct Baerwald alignment with the major part of tonearms with universal mount.
- Headshell weight 12.8 g
- Headshell weight with a 2M cartridge pre-mounted 20 g



Get more information
about 2M cartridges.

ortofon
accuracy in sound

Ortofon A/S | Stavangervej 9 | DK-4900 Nakskov
Tel. +45 54 91 19 15 | www.ortofon.com